

BTS 84

Floor spring



The economic double action floor spring

Special shallow design optional hold-open.

The dormakaba BTS 84 is a double action floor spring which has been specially developed for the aluminium and toughened glass door industries. This unit is intended to complement our internationally acclaimed RTS concealed overhead door closer by giving the shop fitting industry the option of a dormakaba quality floor spring designed for their particular purpose. The BTS 84 has many of the features of the other dormakaba BTS closers with the addition of reduced depth and an array of accessories designed for the aluminium door fabricator and toughened glass door manufacturer.

The production plant is ISO 9001 certified.

For the trade

- Outstanding value for money
- Also available with stronger and weaker springs for special requirements.

For the installer

- Easy installation thanks to shallow design.
- Easy to adapt to individual requirements with dual valve control 130° to 0° and 130° to 20°.
- Interchangeable spindle inserts available to suit site conditions.

For the architect/specifier

- Concealed unit for invisible
- Minimum floor recess dimension.
- Concealed unit for invisible installation.

For the user

- Thermoconstant smooth operation.
- High mechanical efficiency for easy door opening.
- Optional single point hold-open.

Technical Data

		BTS 84		
Spring strength		EN 2	EN 3	EN 4
Standard and external doors ^{1) 2)}	≤ 850 mm	●	–	–
	≤ 950 mm	–	●	–
	≤ 1100 mm	–	–	●
Closing speed variable by valve adjustment			●	
Backcheck			–	
Delayed action			–	
Hold-open point 90°			○	
Weight in kg, approx.		5.0		
Dimensions in mm	Length	306		
	Width	108		
	Height	40		
Door closer tested to EN 1154			●	
CE mark for building products (products with factory-fitted hold-open do not carry a CE mark)		–	●	●

● Yes – No ○ Option

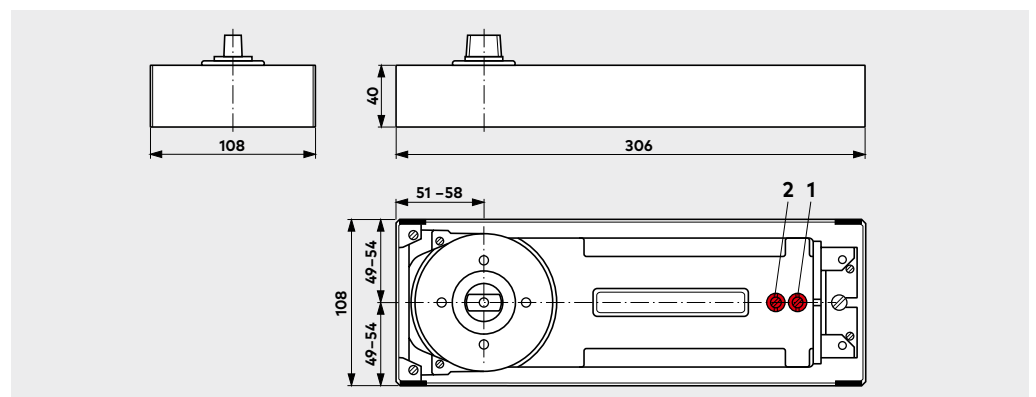
¹⁾ For applications involving particularly high or heavy doors, and doors which have to close against wind or draught conditions, the next larger closer size or the dormakaba BTS 80 should be selected.

²⁾ Max. opening 130°.

Door stop necessary for doors which can open further than 130°.

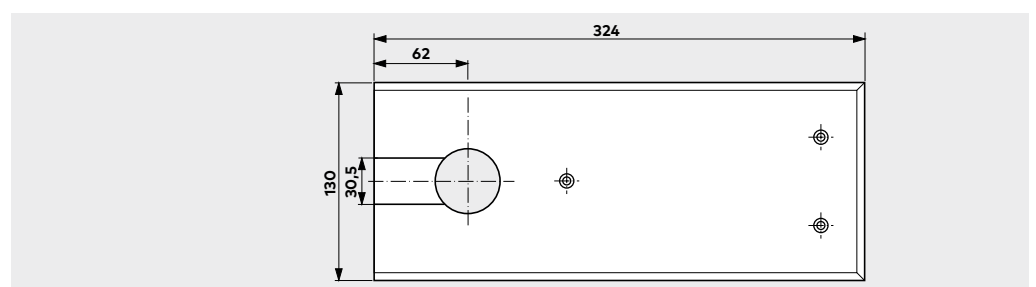
1 Valve for closing speed adjustment 130° – 0°

2 Valve for increasing closing speed 130° – 20°



Universal cover plate

Available in stainlesssteel or satin brass.



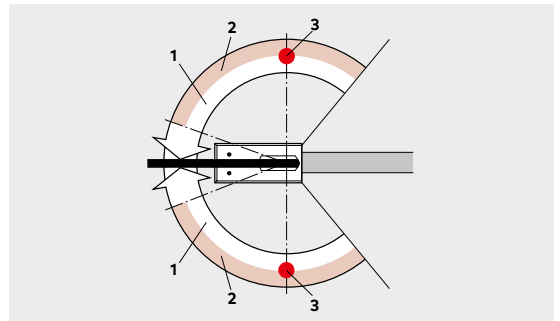
Standard and optional functions

Closing ranges

The floor spring has two controlled closing ranges:

- Valve 1: 130° – 0° sweep
- Valve 2: Increases the closing speed between 130° and 20°.

- 1 First adjusting closing range (130° – 0°)
- 2 Second adjusting closing range (130° – approx. 20°)
- 3 Hold open at 90° (optional extra)



Hold-open

Hold-open with the hold-open (optional extra), the door can be held at an angle of 90°.

Accessories

Applications and fixing instructions, door straps and top centres

See Technical Information "Floor spring accessories".

Note

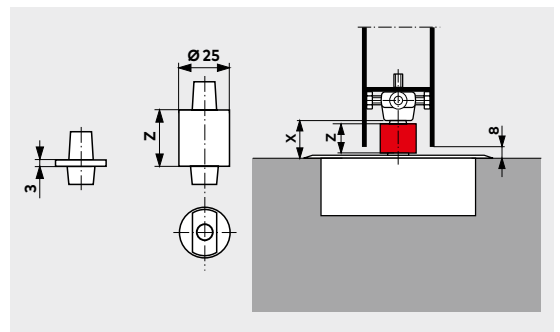
Closer and bottom strap must be installed per fixing instructions for door clearances shown to be valid. Closers with extended spindle inserts are used with carpeted floors, terazzo pans or in cases where more clearance between door and floor is required. Surface finish: Zinc plated.

dormakaba 2300 Sealing Compound

For filling the cavities between the floor spring body and the cement box to prevent moisture penetration (mandatory according to e.g. VOB regulations for wet rooms).

Extended spindle insert

Spindle Extension (mm)	Dimension "X" (Door Clearance) (mm)
Standard	8.0
5.0	13.0
7.5	15.5
10.0	18.0
12.5	20.5
15.0	23.0
20.0	28.0
25.0	33.0
30.0	38.0
35.0	43.0
40.0	48.0
45.0	53.0
50.0	58.0



Standard equipment and accessories

Floor spring BTS 84 including cement box and standard spindle insert	Bodenschließer BTS 84 einschl. Zementkasten ohne Steckachse	normal	Extended spindle inserts (extension in mm)													Universal cover plate Stainless steel	Satin brass	Sealing compound 2300 0,5 kg	
			0	5	7,5	10	12,5	15	20	25	28	30	35	40	45				50
			45200401	45200402	45200403	45200404	45200419	45200405	45200406	45200407	45200414	45200408	45200409	45200410	45200411				45200412
Standard																			
EN 2 81125002	EN 2 81125001	△	△	△	△	△	△	△	△	△	△	△	△	△	△	△	△	△	
EN 3 81110002	EN 3 81110001	△	△	△	△	△	△	△	△	△	△	△	△	△	△	△	△	△	
EN 4 81100002	EN 3 81100001	△	△	△	△	△	△	△	△	△	△	△	△	△	△	△	△	△	
with hold-open 90°																			
EN 2 81225002	EN 2 81225001	△	△	△	△	△	△	△	△	△	△	△	△	△	△	△	△	△	
EN 3 81210002	EN 3 81210001	△	△	△	△	△	△	△	△	△	△	△	△	△	△	△	△	△	
EN 4 81200002	EN 4 81200001	△	△	△	△	△	△	△	△	△	△	△	△	△	△	△	△	△	

△ Accessory

Specification text

Floor spring for double action doors, with hydraulic fully controlled closing from approx. 130°; including cement box and removeable spindle insert.

Models

- Standard
- Hold-open 90°

Size

- EN 2
- EN 3
- EN 4

Accessories

- Universal cover plate
- Stainless steel
- Satin brass
- Extended spindle insert, ... mm extended
- Sealing compound

Make: dormakaba BTS 84

Our Sustainability Commitment

We are committed to foster a sustainable development along our entire value chain in line with our economic, environmental and social responsibilities toward current and future generations. Sustainability at product level is an important, future-oriented approach in the field of construction. In order to give quantified disclosures of a product's environmental impact through its entire life cycle, dormakaba provides Environmental Product Declarations (EPD), based on holistic life cycle assessments.

www.dormakaba.com/sustainability



Our offering

Access Automation Solutions

Entrance Automation
Entrance Security



Access Control Solutions

Electronic Access & Data
Escape and Rescue Systems
Lodging Systems



Access Hardware Solutions

Door Closers
Architectural Hardware
Mechanical Key Systems



Services

Technical Support
Installation and commissioning
Maintenance and Repair



Key & Wall Solutions

Key Systems
Movable / Sliding Walls



Safe Locks

Electronic Safe Locks
Mechanical Safe Locks
Boltworks and Accessories



Glass systems

Manual door systems
Glass fittings
Horizontal Sliding Walls



WN 05092851532, EN, 05/2023
Subject to change without notice



dormakaba.com

dormakaba
International Holding AG
Hofwissenstrasse 24
CH-8153 Rümlang
T +41 44 818 90 11
info@dormakaba.com
dormakaba.com